

**PLEASE CHECK WWW.MOLEX.COM FOR LATEST PART INFORMATION**

**Part Number:** [0987861011](#)  
**Status:** **Active**  
**Overview:** [mox crimp terminals](#)  
**Description:** 2.54mm (.100") Pitch MOX Receptacle Housing, 6 Circuits, Dual Row, Black

**Documents:**

[Application Specification \(PDF\)](#)                      [RoHS Certificate of Compliance \(PDF\)](#)  
[Drawing \(PDF\)](#)

**General**

Product Family	Crimp Housings
Series	<a href="#">98786</a>
Comments	2x3 Circuits, Contact Retentio Force without secondary locking: 40N, with secondary locking: 60N
Overview	<a href="#">mox crimp terminals</a>
Product Name	MOX

**Physical**

Circuits (maximum)	6
Color - Resin	Natural
Gender	Female
Glow-Wire Compliant	No
Keying to Mating Part	None
Lock to Mating Part	Yes
Material - Resin	Nylon
Number of Rows	2
Packaging Type	Bag
Panel Mount	No
Pitch - Mating Interface (in)	0.100 In
Pitch - Mating Interface (mm)	2.54 mm
Pitch - Term. Interface (in)	0.100 In
Pitch - Term. Interface (mm)	2.54 mm
Polarized to Mating Part	Yes
Stackable	No
Temperature Range - Operating	-40°C to +100°C

**Electrical**

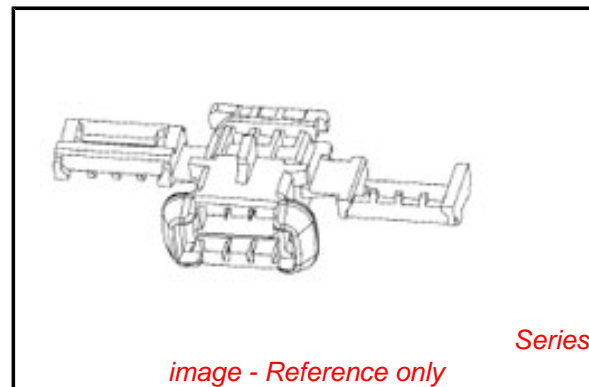
Current - Maximum per Contact	7.5A
-------------------------------	------

**Material Info**

Old Part Number	49901221
-----------------	----------

**Reference - Drawing Numbers**

Application Specification	AS-98787-001
Packaging Specification	PK-98786-001
Sales Drawing	SD-98786-001



**EU RoHS**

**ELV and RoHS Compliant**  
**REACH SVHC Contains SVHC: No**  
**Halogen-Free Status**

**China RoHS**



**Not Reviewed**

**Need more information on product environmental compliance?**

Email [productcompliance@molex.com](mailto:productcompliance@molex.com)  
For a multiple part number RoHS Certificate of Compliance, [click here](#)

Please visit the [Contact Us](#) section for any non-product compliance questions.

**Search Parts in this Series**

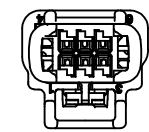
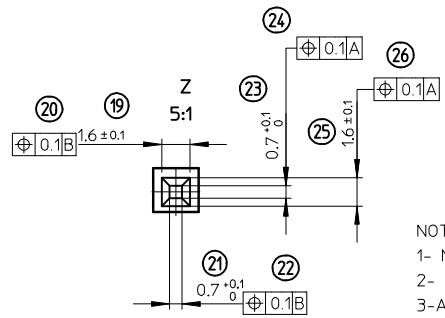
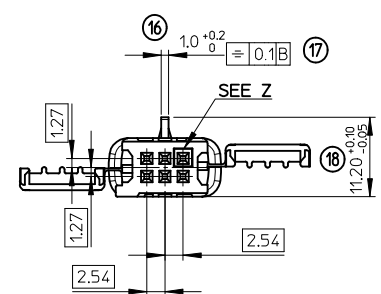
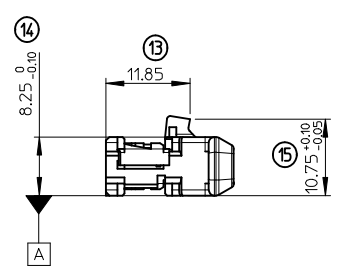
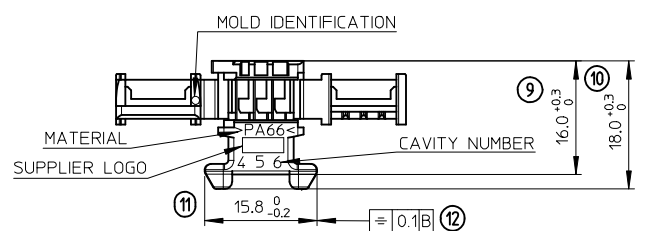
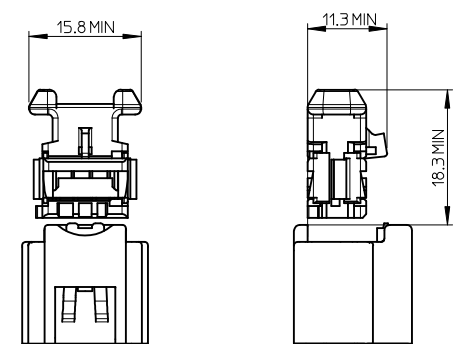
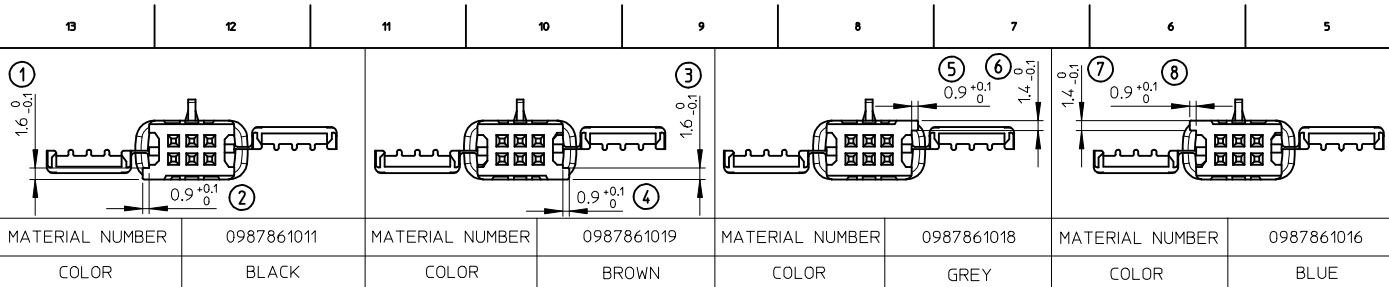
[98786Series](#)

**Mates With**

[98780](#) Male Header, [98787](#) MOX Plug Housing

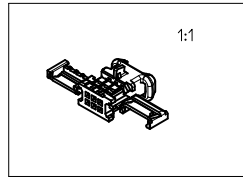
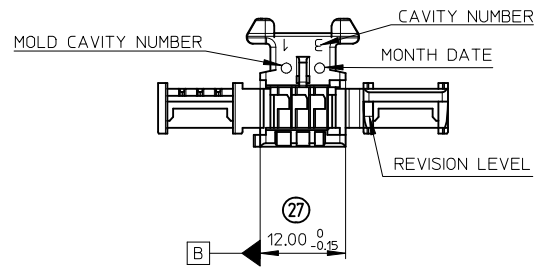
**Use With**

[98658](#) MOX Crimp Terminal



NECESSARY VOLUME FOR THE HOUSING ASSEMBLY.  
ALLOW AN ADDITIONAL VOLUME FOR THE UNMATING

- NOTES:
- 1- MATERIAL : POLYAMIDE (PA66) UNFILLED UL94V-2
  - 2- USE WITH : 98658 (MOX 0.63 TERMINAL)
  - 3-APPLICATION SPECIFICATION : AS-98787-001
  - 4-MATE WITH : SERIES 98787 , 98780
  - 5-WEIGHT : 1.060 g



FIRST RELEASE EC NO: G2008-0366 DRAWN: VGUERIN 2008/03/25 CHKD: JLDUCLOS 2008/03/25 APPR: LSTICKEIR 2008/03/27	DESCRIPTION	GENERAL TOLERANCES (UNLESS SPECIFIED)		DIMENSION STYLE	SCALE	DESIGN UNITS	FIRST ANGLE PROJECTION	
				MM ONLY	2:1	METRIC		
		4 PLACES	± ---	± ---	DRAWN BY	DATE	TITLE	
		3 PLACES	± ---	± ---	VGUERIN	2008/03/07	MOX RCPT HSG 0.635 CEM 6CKT	
			2 PLACES	± 0.05	± ---	CHECKED BY	DATE	
			1 PLACE	± 0.1	± ---	JLDUCLOS	2008/03/07	
			ANGULAR ± 2 °		APPROVED BY	DATE		
			DRAFT WHERE APPLICABLE MUST REMAIN WITHIN DIMENSIONS		LSTICKEIR	2008/03/07		
			SEE CHART		MATERIAL NO.	DOCUMENT NO.	SHEET NO.	
			SIZE A2		SD-98786-001		1 OF 1	
THIS DRAWING CONTAINS INFORMATION THAT IS PROPRIETARY TO MOLEX INCORPORATED AND SHOULD NOT BE USED WITHOUT WRITTEN PERMISSION								